



# Makita Werkzeug Ges.m.b.H.

Airportstr. 4, 2401 Fischamend

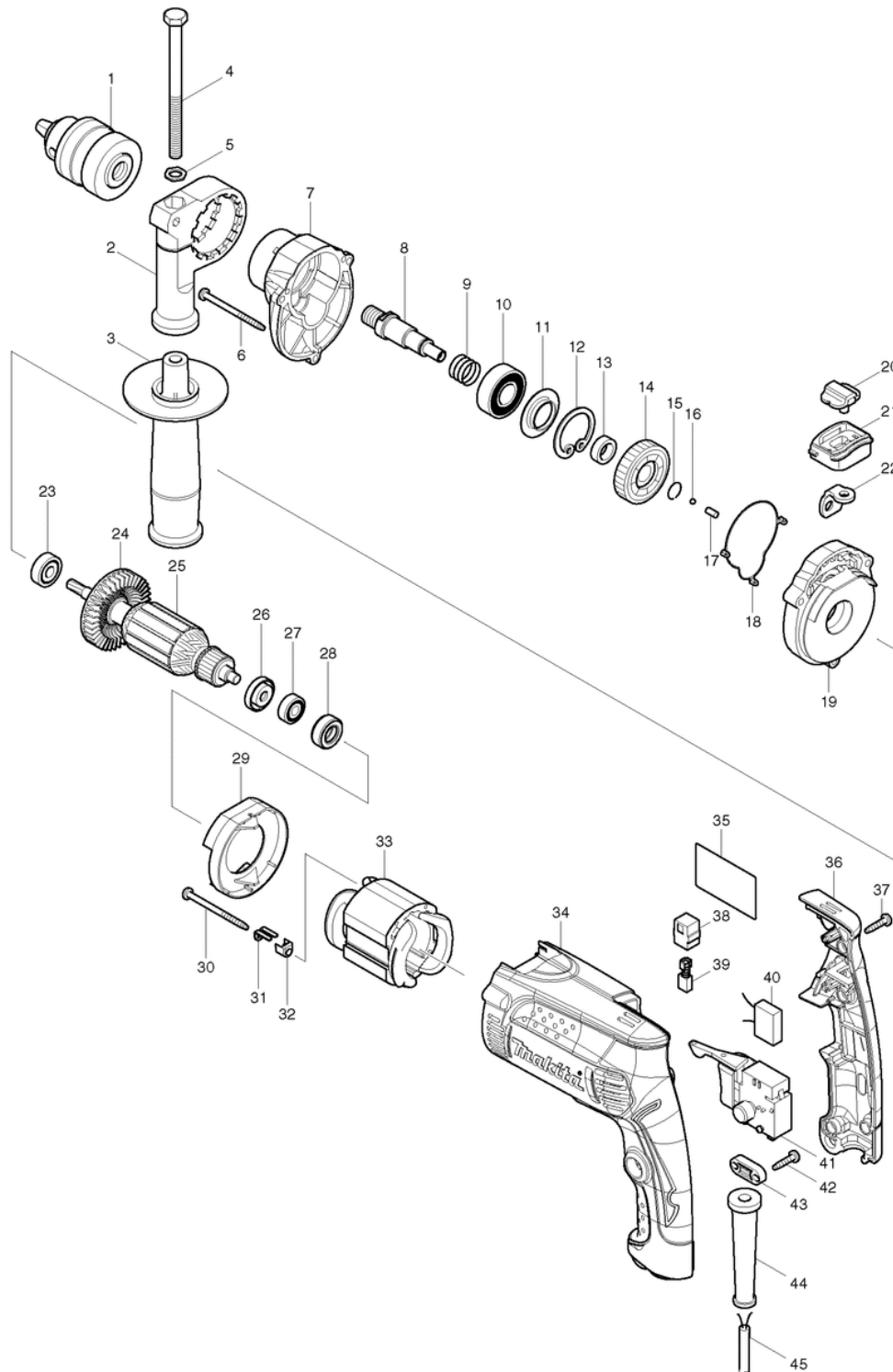
Tel: 02232 / 777 00

Fax: 02232 / 777 00 - 40

Mail: verkauf@makita.at

Web: www.makita.at

## Makita Service Information / Model: HP1630





## Makita Werkzeug Ges.m.b.H.

Airportstr. 4, 2401 Fischamend

Tel: 02232 / 777 00

Fax: 02232 / 777 00 - 40

Mail: verkauf@makita.at

Web: www.makita.at

### Makita Service Information / Model: HP1630

POS	Bestell-Nr.	Artikelbeschreibung	Stk.	Stk.Preis
1	763161-4	DRILL CHUCK S13	1	N/A
1	766016-2	DRILL CHUCK S13	1	N/A
1.2	766016-2	DRILL CHUCK S13	1	N/A
2	417630-4	DRŽIAK RÚČKY HR2440/2020/2450F	1	N/A
3	153503-4	GRIP 36 COMPLETE	1	N/A
3	152489-9	GRIP 36 COMPLETE	1	N/A
3.2	152489-9	GRIP 36 COMPLETE	1	N/A
4	265495-6	HEX. BOLT M8x110	1	N/A
5	345280-4	PODLOŽKA	1	N/A
6	266361-0	SKRUTKA SAMOREZNÁ 4x30	3	N/A
7	450619-9	KRYT PREVODOVKYHP1630/40	1	N/A
8	324223-9	OSKA MT811	1	N/A
9	233330-6	PRUŽINA PRÍTLAČNÁ 16 MT811	1	N/A
10	211241-5	LOŽISKO GULIČKOVÉ 6202DDW MT601/811	1	N/A
11	257246-1	KRÚŽOK 19 MT811/HP163/31	1	N/A
12	962153-2	POISTNÝ KRÚŽOK R-35 962153-2	1	N/A
13	257173-2	KRÚŽOK 12 5604R	1	N/A
14	226589-2	KOLESO OZUBENÉ 37 HP1630/31K	1	N/A
15	233938-6	PODLOŽKA PRUŽNÁ	1	N/A
16	216001-0	GULKA OCELOVÁ 3,5	1	N/A
17	256251-5	KOLÍK 4 HP1500/2040/41/32/33	1	N/A
18	424112-9	Seal ring	1	N/A
19	158676-8	KRYT PREVODOVKY HP1630	1	N/A
20	417819-4	TLACIDLO VYPINACA MT811	1	N/A
21	450621-2	Lever Case	1	N/A
22	345944-0	PLATNIČKA PREPÍNAČA HP1630/HP1631K	1	N/A
23	211031-6	LOŽISKO GULIČKOVÉ 608LLB	1	N/A
24	241869-5	FAN 55	1	N/A
25	515309-2	KOTVA UPLNA 220 V HP1630/31K	1	N/A
25		*** INC. 23,24,26,27		N/A
26	681636-0	IZOLACNA PODLOŽKA	1	N/A
27	211021-9	LOŽISKO GULIČKOVÉ 607LLB	1	N/A
28	421808-3	Gumený krúžok 19 MT952/953	1	N/A
29	450620-4	DOSKA ODKLONU VZDUCHU HP1630/1631K	1	N/A
30	266415-3	SKRUTKA SAMOREZNÁ 4x55MM	2	N/A
31	344871-8	DRŽIAK GD/9562-Serie/BO6040 9562-9566	2	N/A
32	417237-6	Krytka izolačná 9562-9566	2	N/A
33	626604-6	STATOR 240V HP1630	1	N/A
33	626644-4	STATOR 240V HP1630/HP1631K	1	N/A
33.2	626644-4	STATOR 240V HP1630/HP1631K	1	N/A



## Makita Werkzeug Ges.m.b.H.

Airportstr. 4, 2401 Fischamend

Tel: 02232 / 777 00

Fax: 02232 / 777 00 - 40

Mail: verkauf@makita.at

Web: www.makita.at

### Makita Service Information / Model: HP1630

POS	Bestell-Nr.	Artikelbeschreibung	Stk.	Stk.Preis
34	450617-3	KRYT MOTORA HP1630/31	1	N/A
35	865364-7	Name Plate HP1630	1	N/A
36	158677-6	HANDLE COVER COMPLETE	1	N/A
37	266326-2	SKRUTKA SAMOREZNÁ	4	N/A
38	643563-9	DRŽIAK UHLÍKOV 5x8 6412/641	2	N/A
38.2	643566-3	KOEHLENHALTER 5x8 MT817	2	N/A
39	191998-3	UHLÍKY CB-85 MT601/811/812	1	N/A
40	645200-1	ODRUSOVACI KONDENZATOR	1	N/A
40	645267-9	NOISE SUPPRESSOR	1	N/A
40.2	645267-9	NOISE SUPPRESSOR	1	N/A
41	650586-0	VYPINAČ DGQ-1104H 6412	1	N/A
42	266326-2	SKRUTKA SAMOREZNÁ	2	N/A
43	687124-5	DRŽIAK KÁBLA MT240/953T955	1	N/A
44	682569-2	CHRÁNIČ ŠNÚRY MT601/811/952/953	1	N/A
44	682502-4	CHRANIC SNURY 8-85	1	N/A
44.2	682502-4	CHRANIC SNURY 8-85	1	N/A
45	665383-1	KÁBEL 1.0-2-2.0 HP1630/1631K	1	N/A
1001	418163-2	KEY HOLDER 10	1	N/A
1002	763441-8	CHUCK KEY S13	1	N/A
1002	763448-4	CHUCK KEY S13	1	N/A
1002.2	763448-4	CHUCK KEY S13	1	N/A
1003	824811-7	PLASTIC CARRYING CASE	1	N/A
1003	821549-5	CONNECTOR PLASTIC CASE (TYPE1)	1	N/A
1004	837666-1	INNER TRAY	1	N/A
1004.2	838038-3	INNER TRAY	1	N/A
1005	801C86-3	HP1630J INDICATION LABEL	1	N/A
1006	801C87-1	HP1630J PLASTIC CASE LABEL	2	N/A